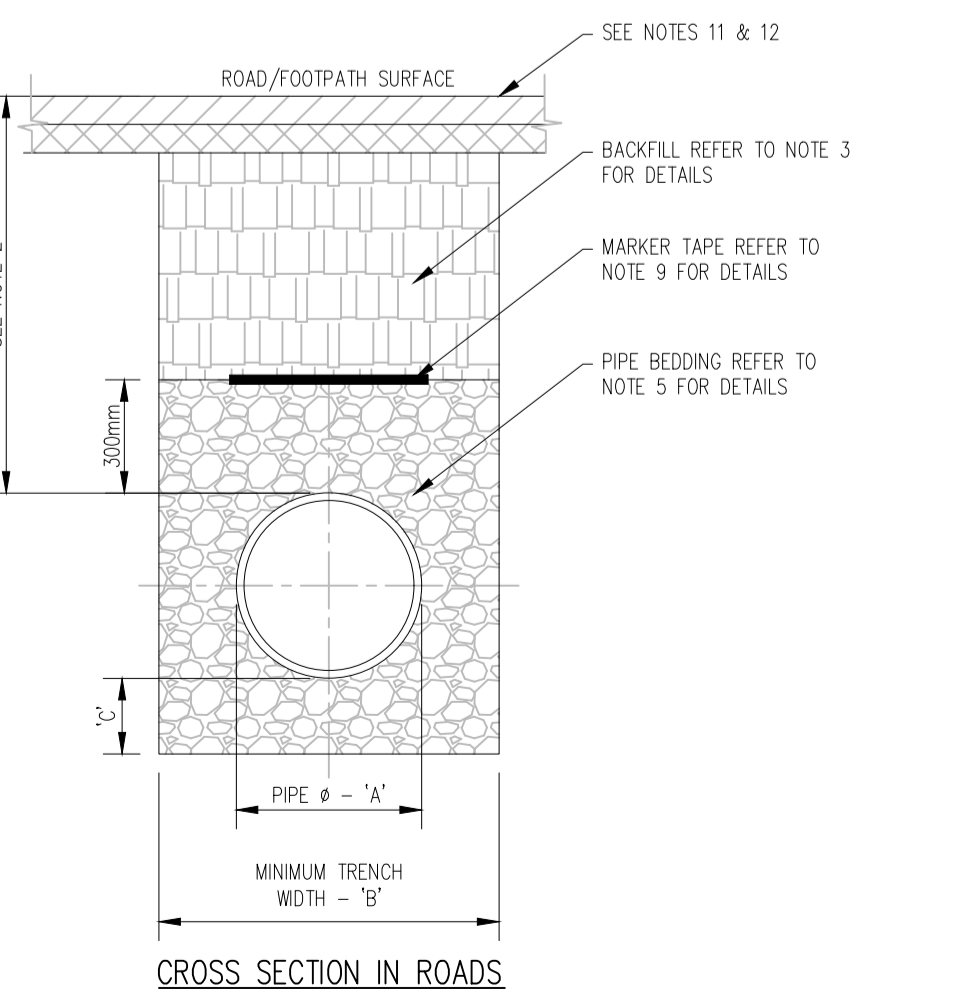
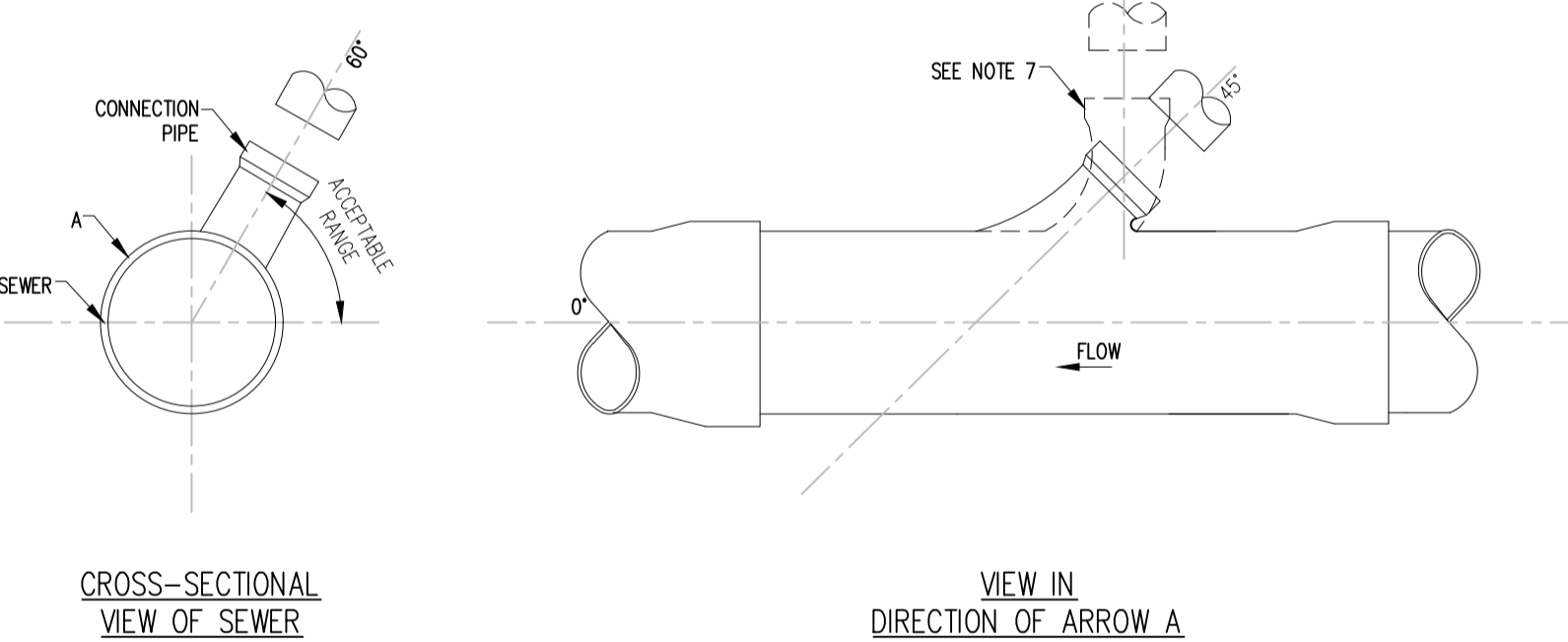
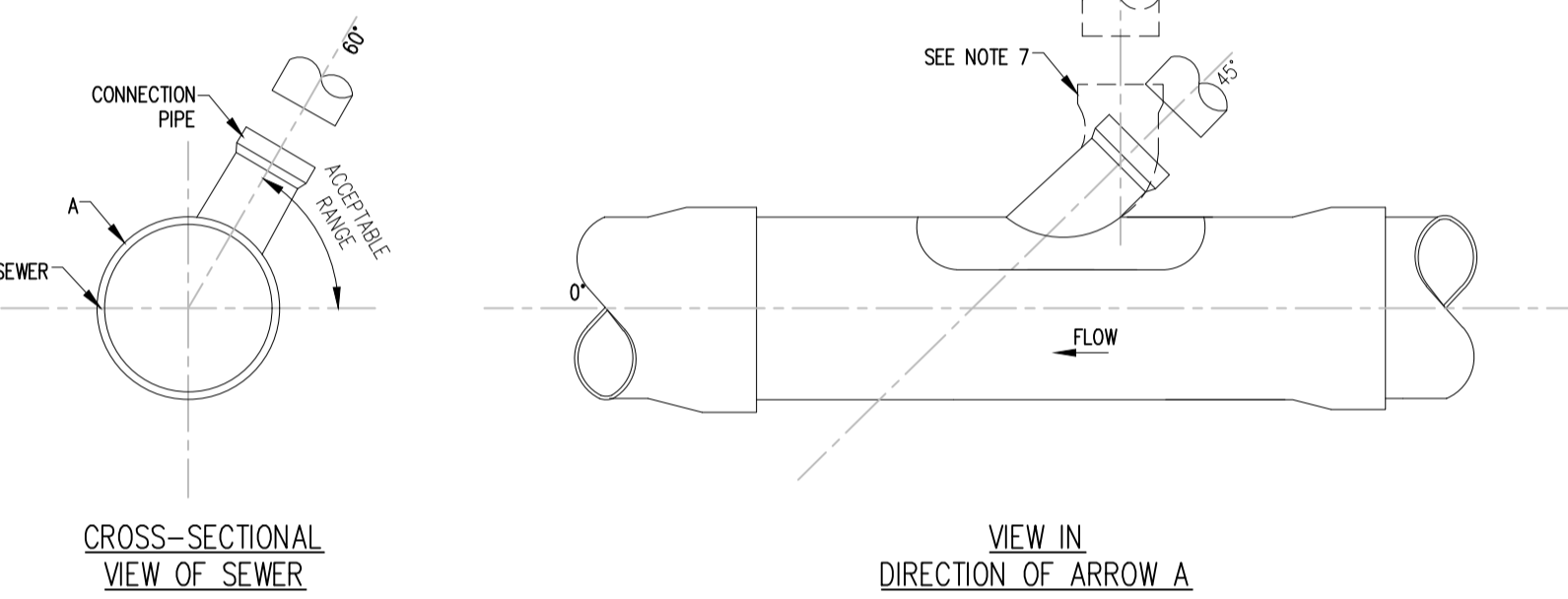
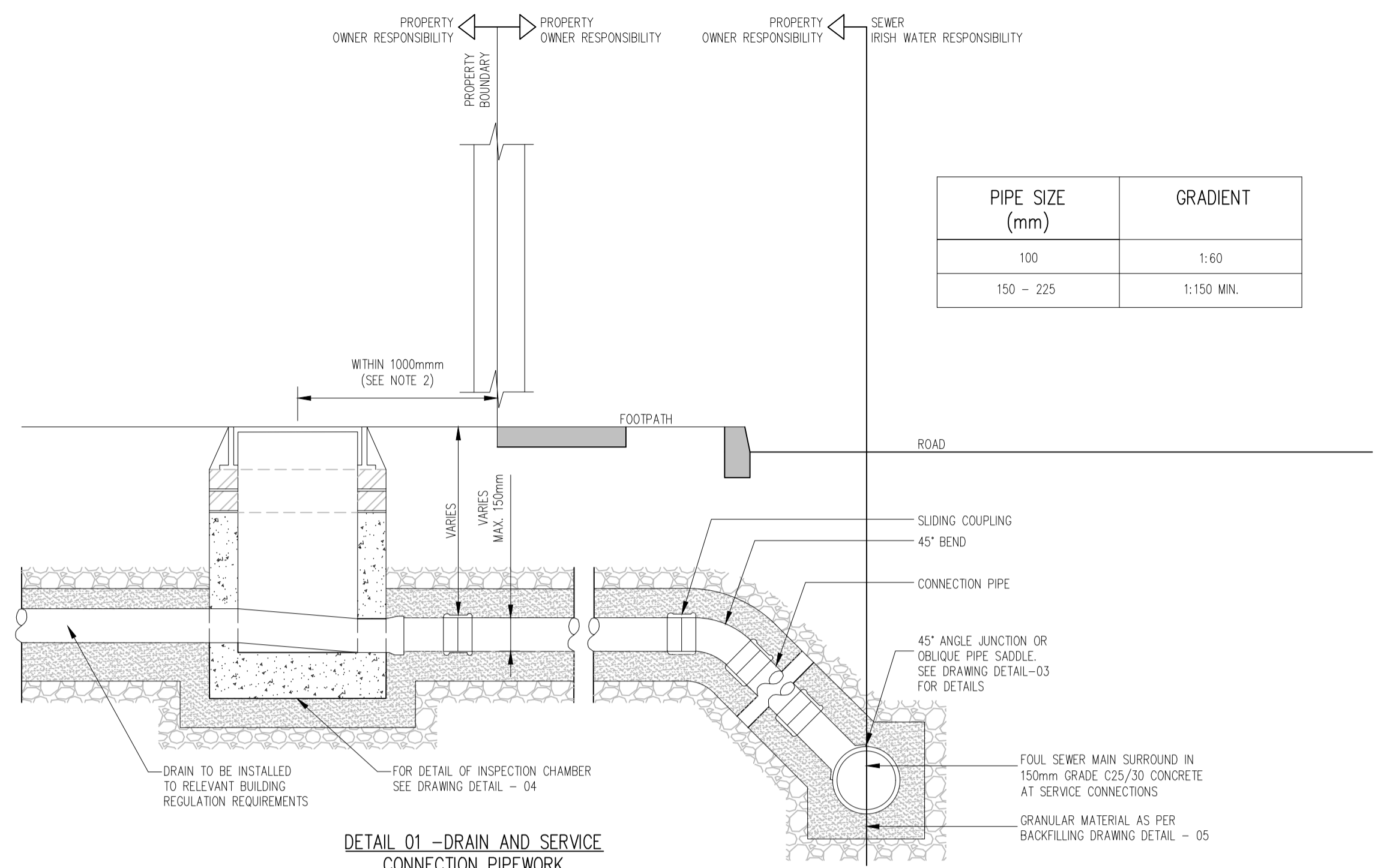


NOTES

GENERAL

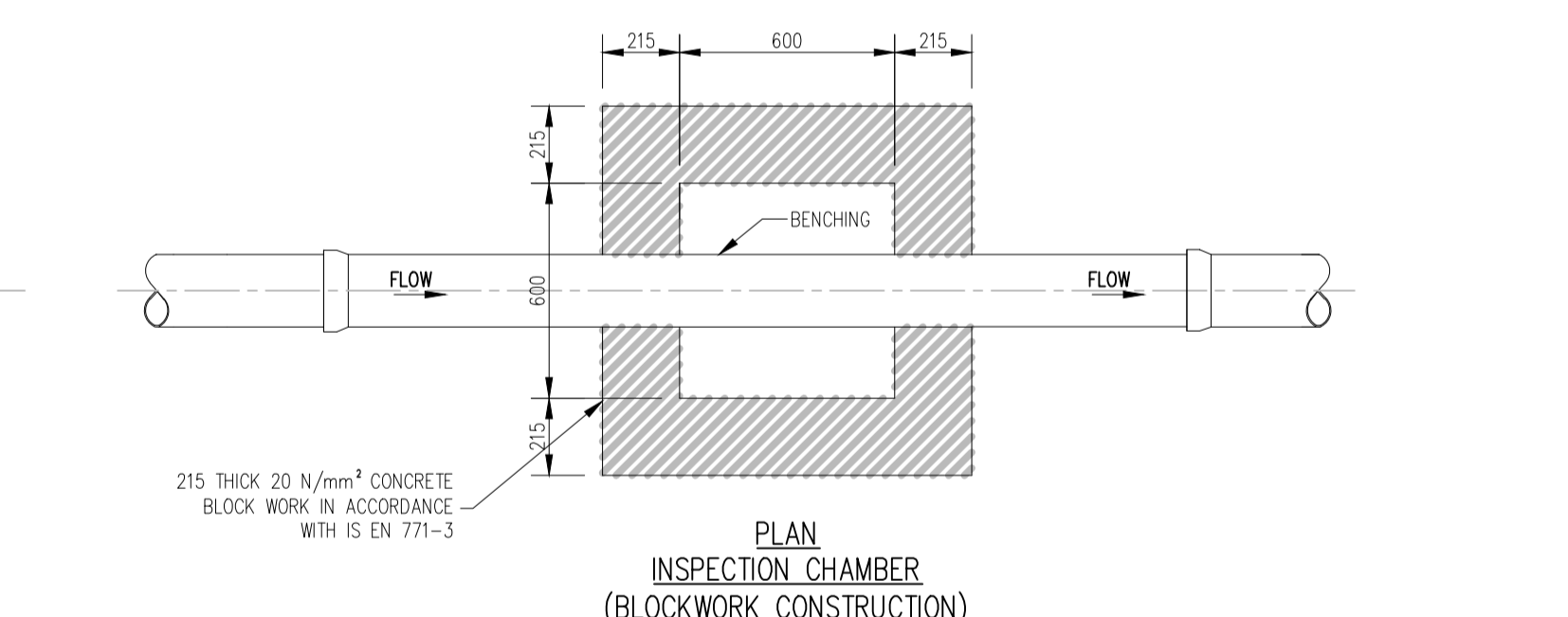
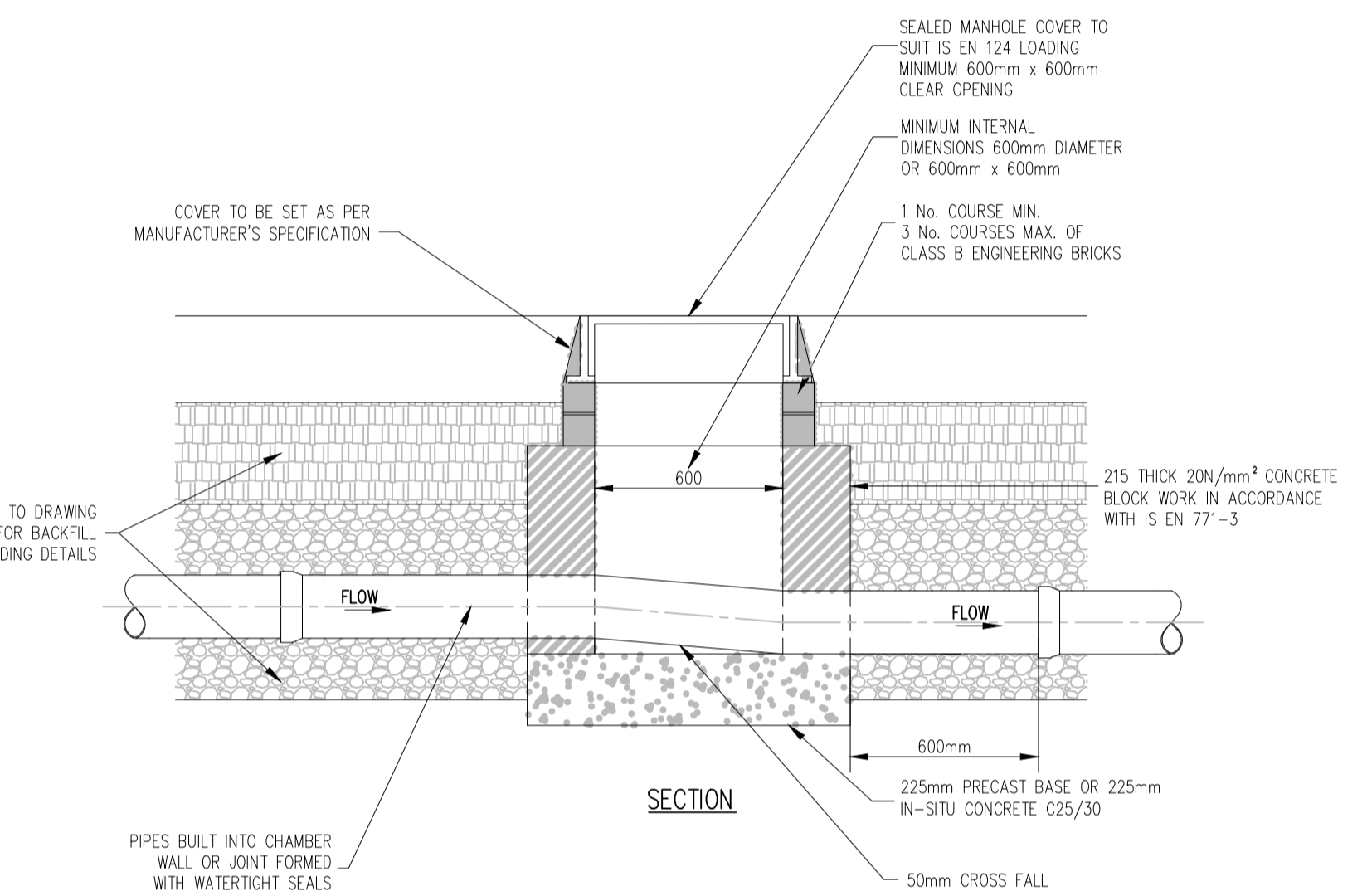
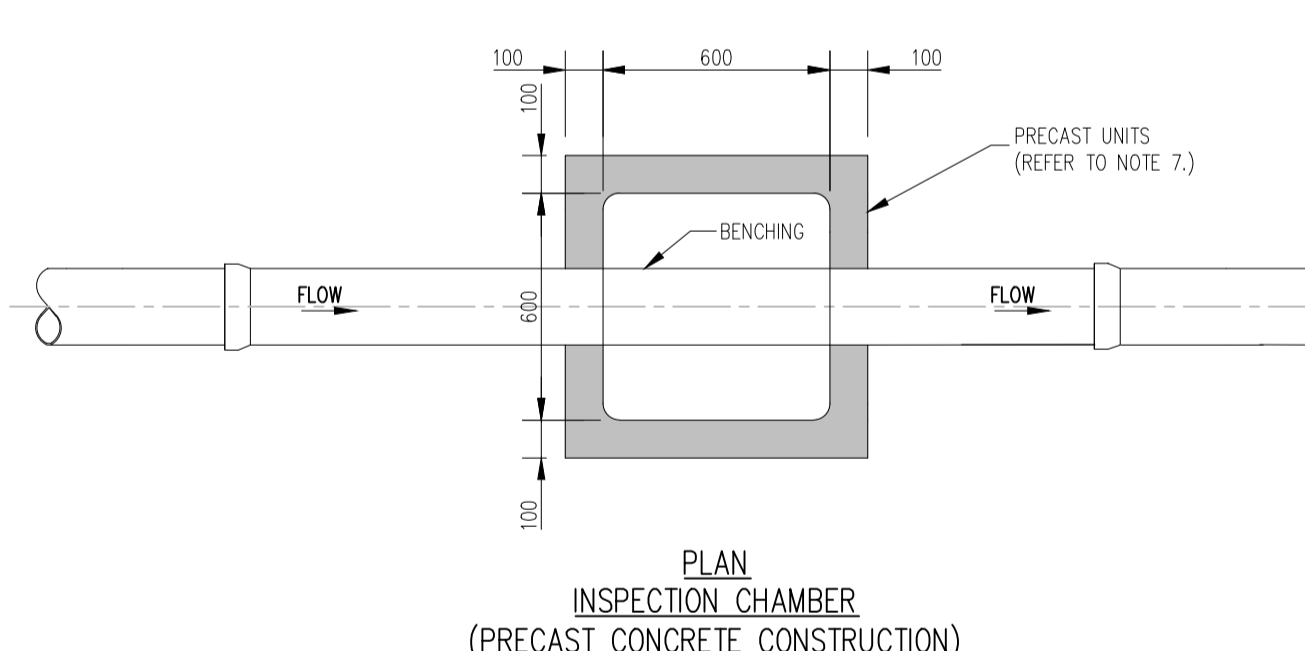
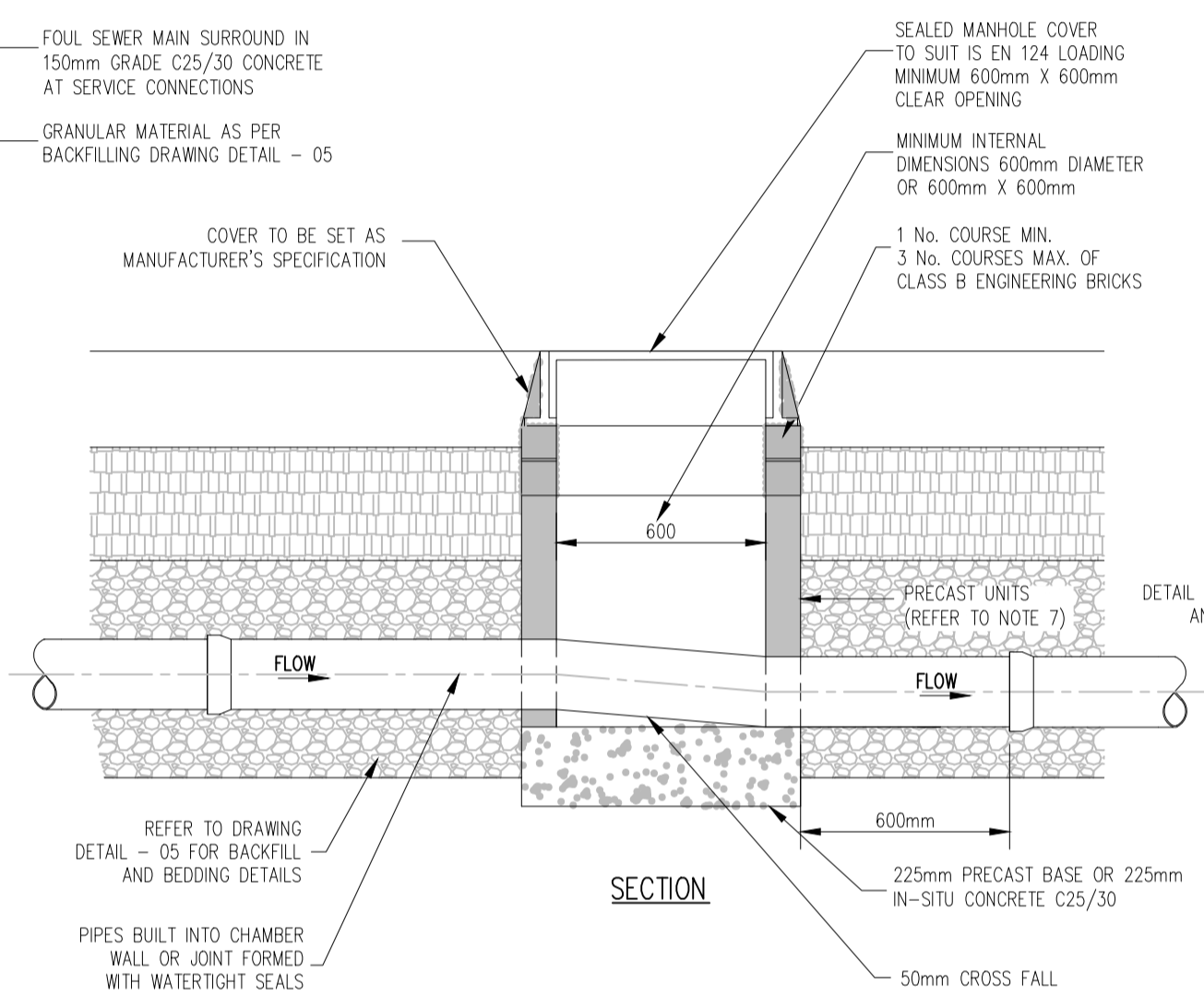
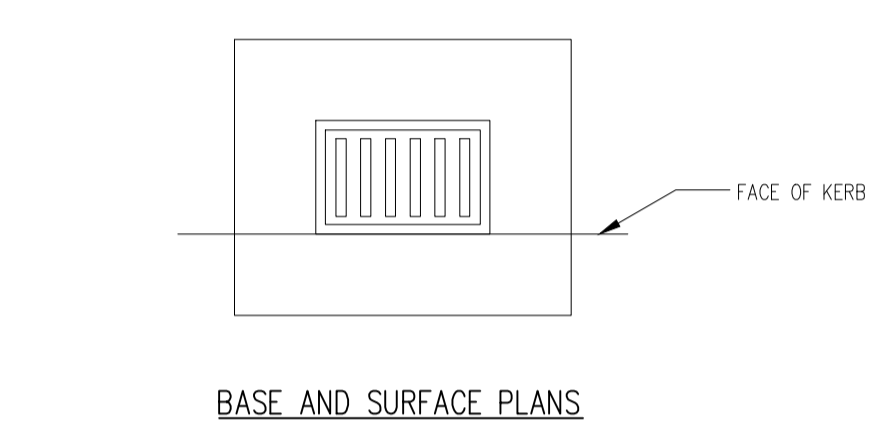
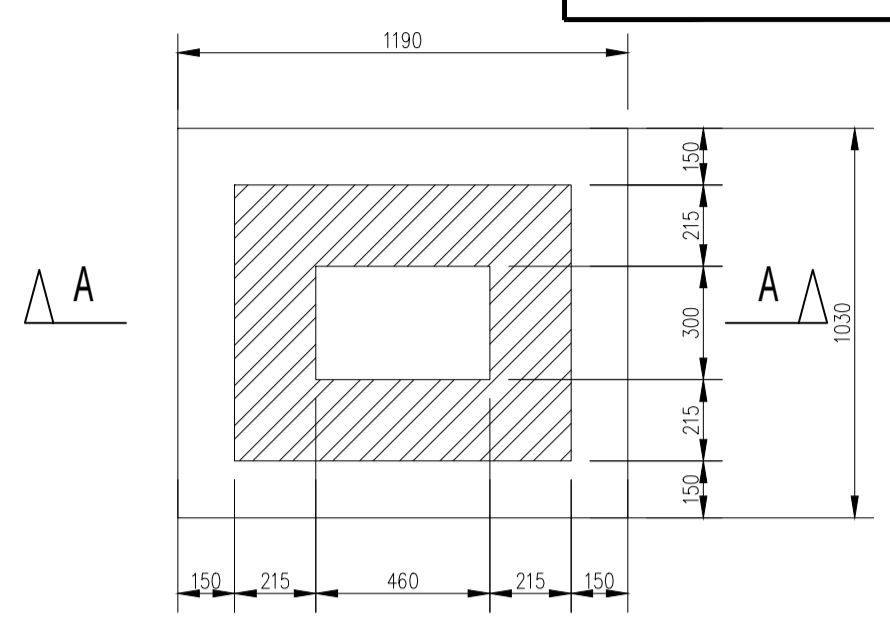
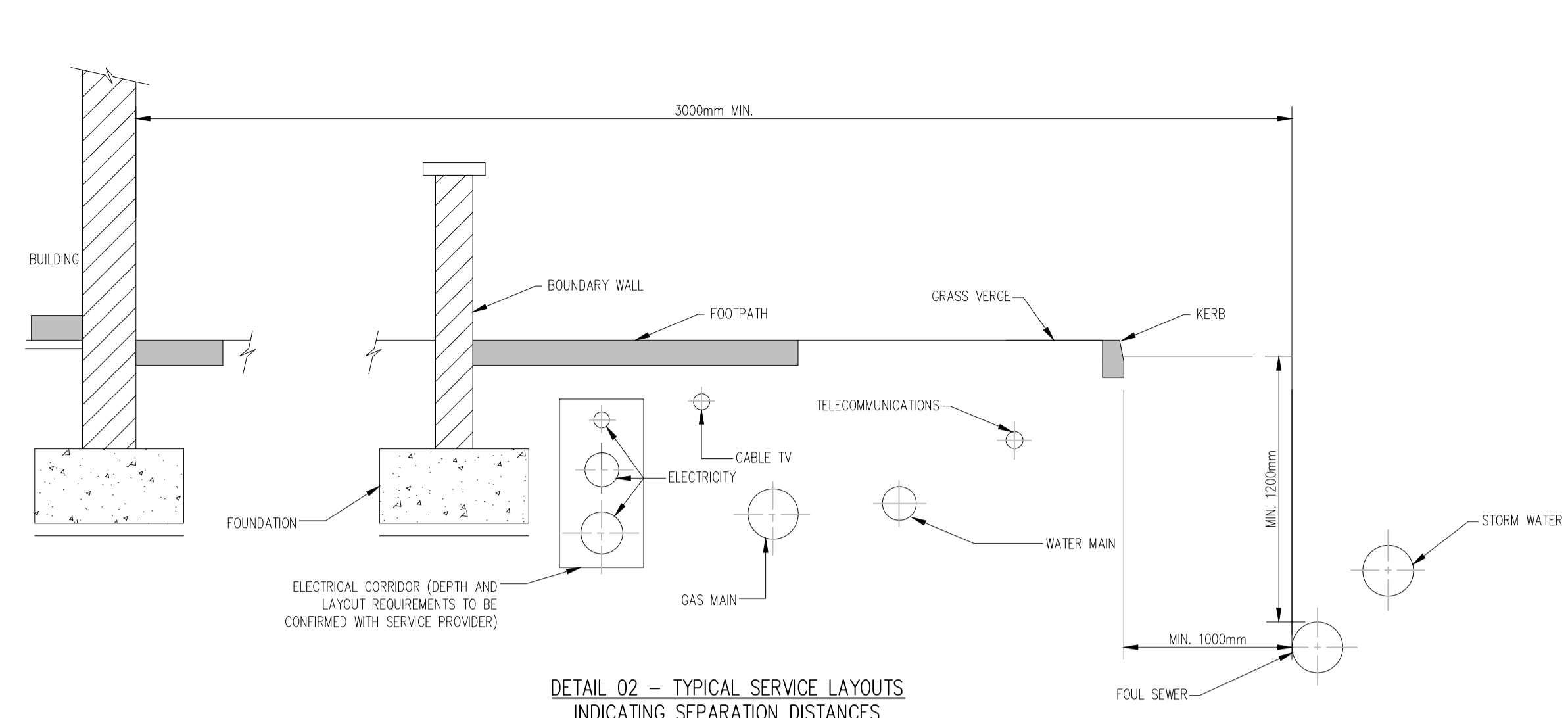
- 1.) THESE DRAWINGS TO BE READ IN CONJUNCTION WITH ALL RELEVANT HAYES HIGGINS ENGINEERING DRAWINGS AND SPECIFICATIONS.
- 2.) DO NOT SCALE. USE FIGURED DIMENSIONS ONLY.
- 3.) FOUL WATER/WASTE WATER TO CURRENT IRISH WATER SPECIFICATION AND DETAILS (W-CDS-5030-01).

PIPE SIZE (mm)	GRADIENT
100	1:60
150 - 225	1:150 MIN.

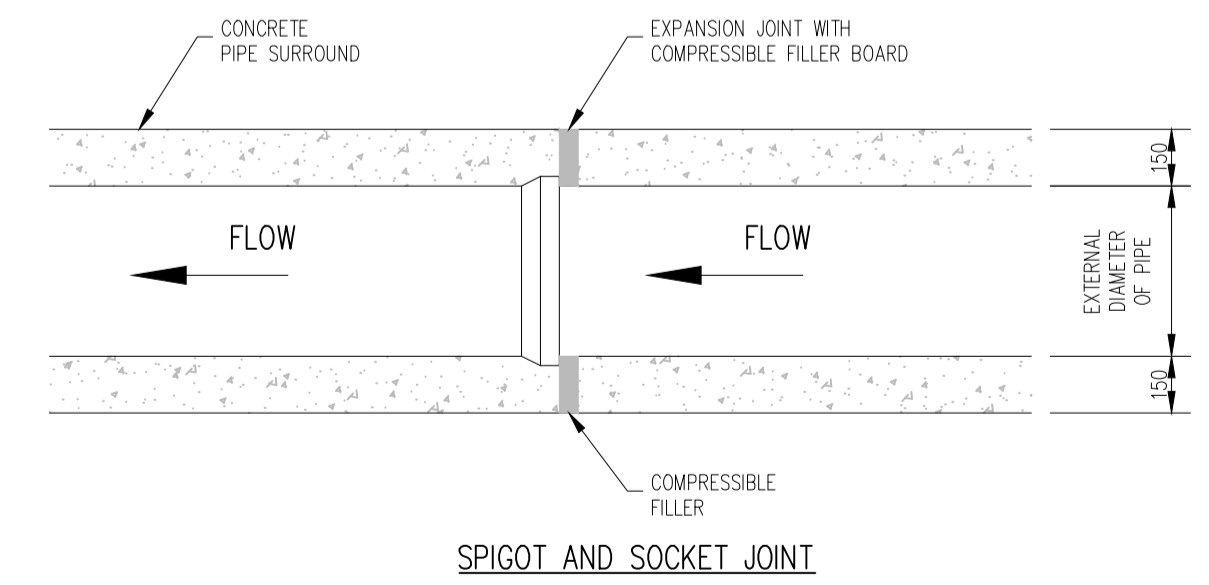
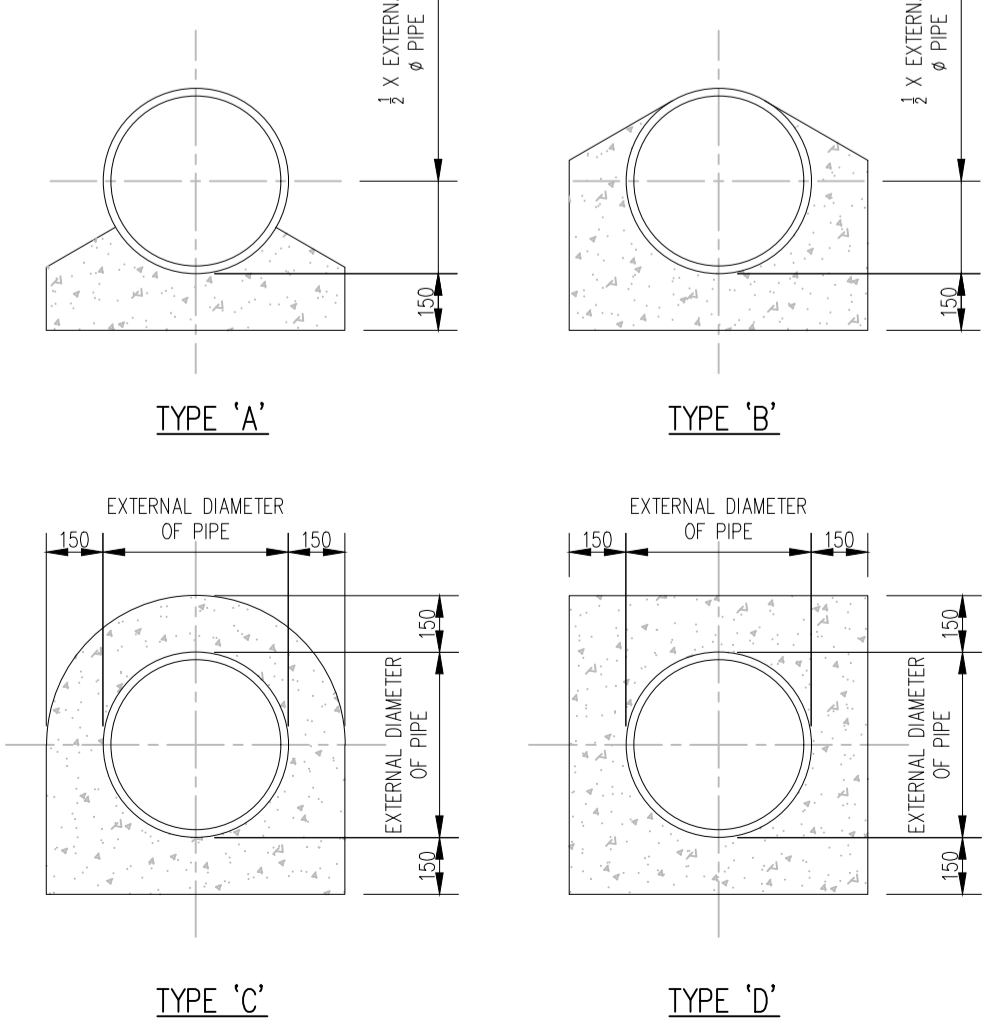
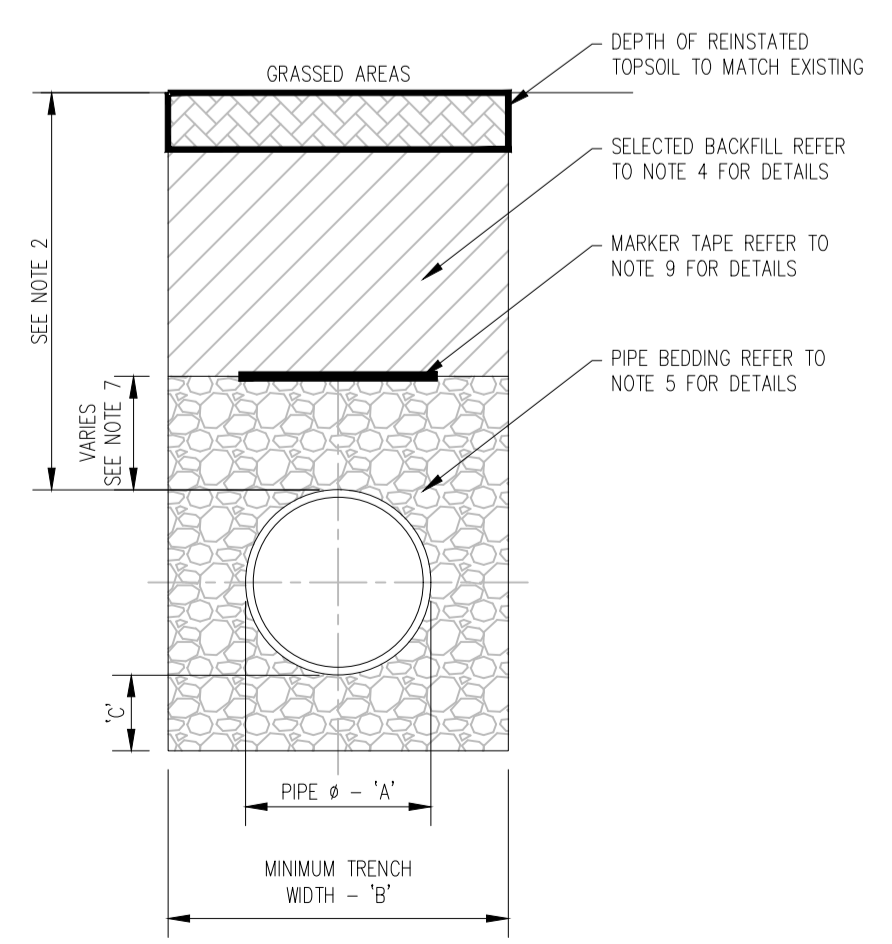


PIPE DIAMETER 'A' (mm)	DEPTH OF BEDDING 'C' (mm)
≤ 100	100
150 - 450	200

PIPE DIAMETER 'A' (mm)	TRENCH WIDTH 'B' (mm)
≤ 80 RISING MAIN	SEE NOTE 10.
100	500
150	600
200	600
250	750
300	750
350	750
400	900
450	900



DETAIL 04 - PRIVATE SIDE INSPECTION CHAMBER



DETAIL 06 - CONCRETE BED, HAUNCH AND SURROUND TO WASTEWATER PIPES
SCALE 1:20

REV	DATE	ISSUED FOR PLANNING	FS	LM
ISSUED FOR PLANNING				
CLIENT: SOPHIA HOUSING				
PROJECT NAME: ST JOHN'S CONVENT RATHANGAN				
DRAWING NAME: IRISH WATER FOUL & SURFACE DRAINAGE DETAILS SHEET 1 OF 4				
PROJECT No. 20D004				
DRAWING No. 03A		REVISION P		
SCALE AS SHOWN		DRAWN DATE 10.08.23		
CAD DRAWN BY F.S.	CHECKED BY L.M.	APPROVED BY D.H.		
HAYES HIGGINS PARTNERSHIP The Glass House, 11 Coke Lane Smithfield, Dublin 7. Tel: 01 6612321 E-mail: admin@hayeshiggins.ie Gas House Lane, Kilkenny. Tel: (056) 7764710 Email: info@hhp.ie				